

Firesafe™ Valves

Installation Instructions

CAUTION!

When actuated, the FireSafe Cannula Valve will stop the gas flow. The pressure upstream of the FireSafe Cannula Valve will rise until it reaches the maximum output pressure of the supply system. In order to ensure that the connection between the FireSafe Cannula Valve and the supply system can withstand this pressure, it is recommended that a type test be carried out with each style of trumpet connector or cannula tubing used.

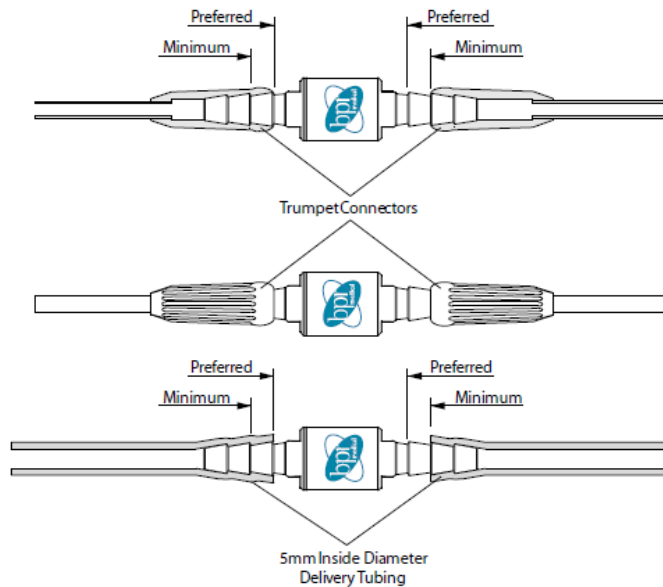
Note

Due to the differences in the flexibility of the materials used for tubing and trumpet connectors and variations of inner bore diameter, it may not always be possible to reach the minimum preferred position shown above.

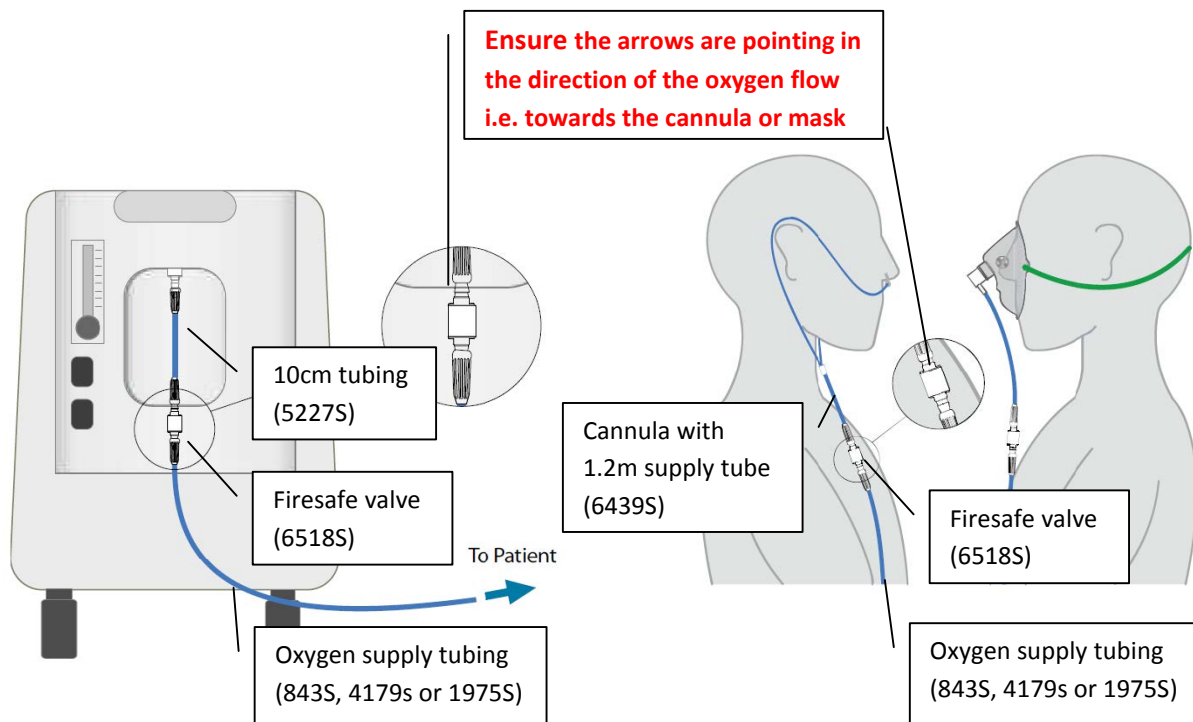
CAUTION!

Validation of the connection integrity at the maximum supply outlet pressure should be determined through type testing. It is the responsibility of the installer to ensure the device is installed correctly and that the connections made to the device are adequate for the application.

Figure 1 - Installation of the FireSafe Cannula Valve



Connecting the Firesafe™ Valves and accessories



Connection at oxygen concentrator end

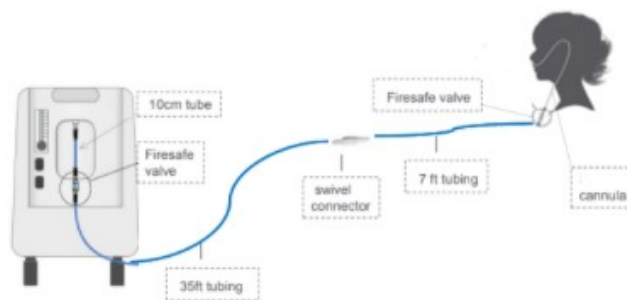
- 10cm tubing connected to oxygen concentrator outlet
- Firesafe valve connected to:
 - 10cm tubing
 - Oxygen supply tubing

Connection at patient end

- Firesafe valve connected to:
 - Oxygen supply tubing
 - Cannula with 1.2m supply tube

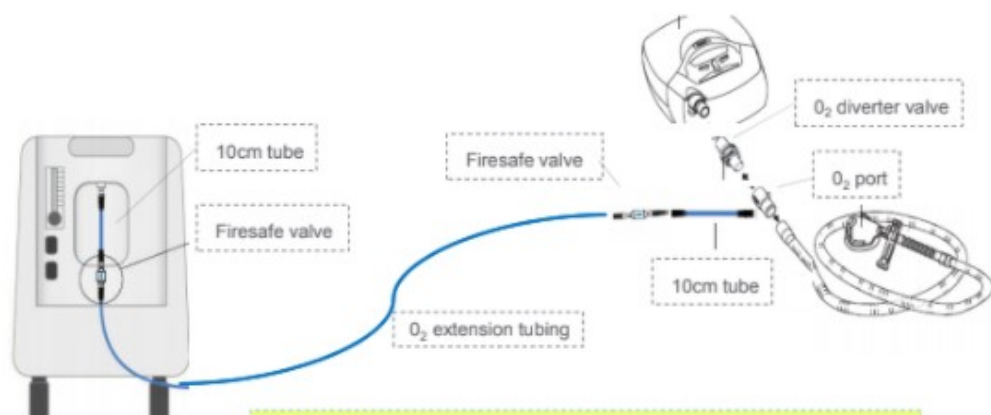
Use of swivel connectors

- Swivel connectors help prevent twisting, kinking and tangling of the extension tubing.
- Swivel connectors may still be required when Firesafe valves are used:
 - ⇒ Patients would like to use portable oxygen
 - ⇒ Patients would like extra tubing (illustrated below):



Firesafe™ valves with PAPs and oxygen concentrators

- 2 Firesafe™ valves should be connected:
 - ⇒ 1 proximal to the concentrator outlet
 - ⇒ 1 before the oxygen port to the CPAP machine connected with 10m tube



Please note:

- Always turn the oxygen flow off before turning the PAP off
- You can use standard or heated CPAP tubing in the above scenario
- Do not add the oxygen at the patients mask

Firesafe™ valves with myAIRVO™ and concentrators

- 2 Firesafe™ valves should be connected:
 - ⇒ 1 proximal to the concentrator outlet
 - ⇒ 1 before the inlet of the myAIRVO™ oxygen outlet connected to a 10cm tube.

